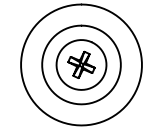
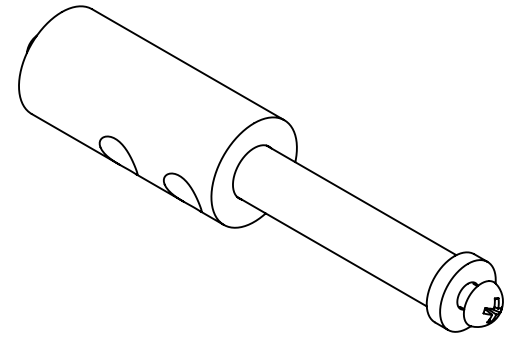
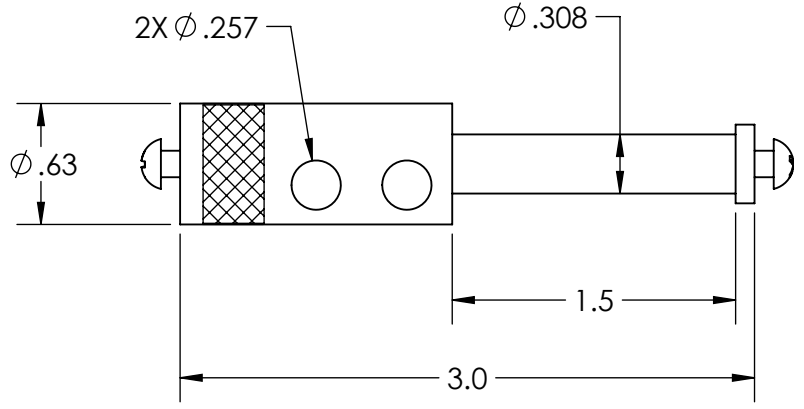
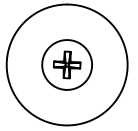
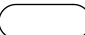



This drawing is the property of MELTRIC Corporation, Franklin (Milwaukee) Wisconsin, USA. Any unauthorized copying of this drawing by any means, ENG/RD/06 REV: 20 ISSUED DATE: 1/15/11 or disclosure of its contents to any person not authorized by MELTRIC Corporation or its agents to receive it, is strictly prohibited.

G F E D C B A

1
2
3
4
5
6



TOLERANCES UNLESS OTHERWISE SPECIFIED	
MACHINED SURFACES $\sqrt[125]{\text{MAX}}$	ENGLISH
GROUND SURFACES $\sqrt[32]{\text{MAX}}$	
ANGLE TOLERANCE $\pm 1^\circ$	0.X ± 0.05
REMOVE BURRS & SHARP EDGES TO .015 MAX.	0.XX ± 0.01
 DIMENSIONS SHOWN IN OVALS ARE INSPECTION DIMENSIONS.	0.XXX ± 0.005

		DRAWING TITLE:	
DRAWN	APPROVED	RECEPTACLE LOCKOUT PIN	
DATE:	SCALE	MATERIAL:	
	NTS	METAL	
SHEET:	PART NUMBER	REVISION	
1 OF 1	LP-843		